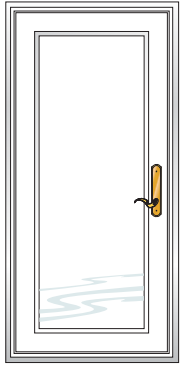
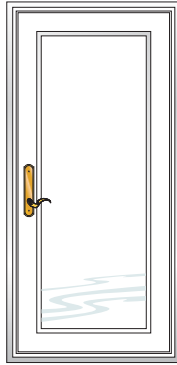


190 In-swing Hinged Patio Door available styles

A191 SINGLE IN SWING

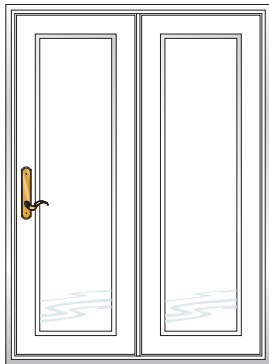


SINGLE LH

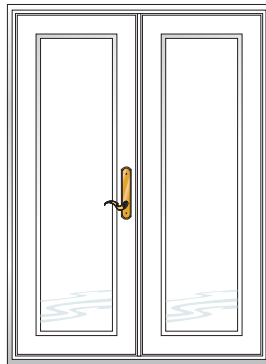


SINGLE RH

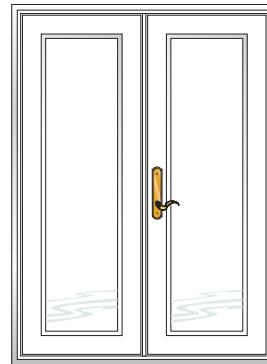
A192 SWINGER



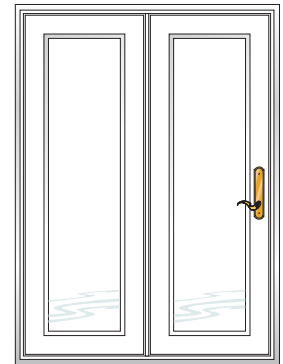
RIGHT HAND XO



LEFT HAND XO

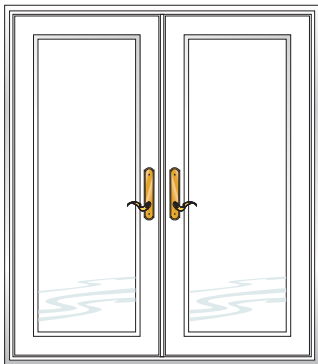


RIGHT HAND OX



LEFT HAND OX

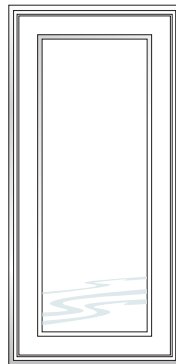
A193 FRENCH



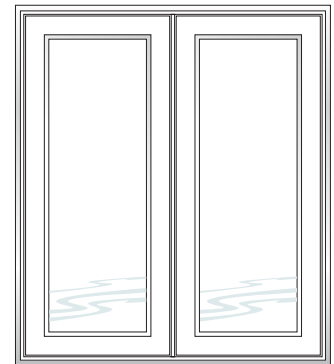
ACTIVE SECONDARY
XP

SECONDARY ACTIVE
PX

A194 SINGLE FIXED

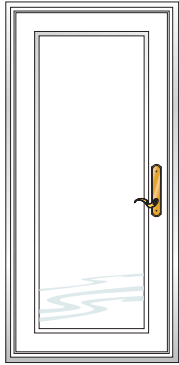


A195 DOUBLE FIXED

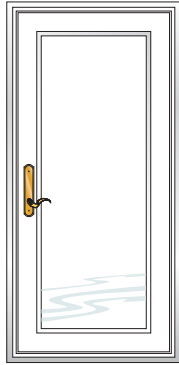


191 Out-swing Hinged Patio Door available styles

B191 SINGLE OUT SWING

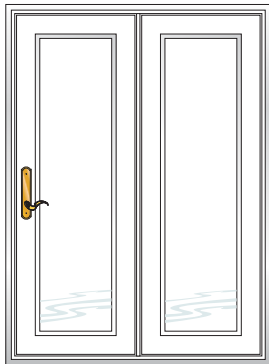


SINGLE LH

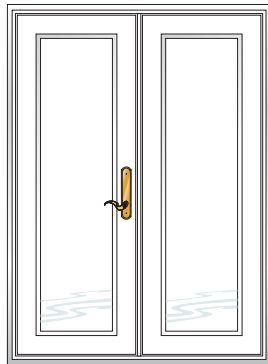


SINGLE RH

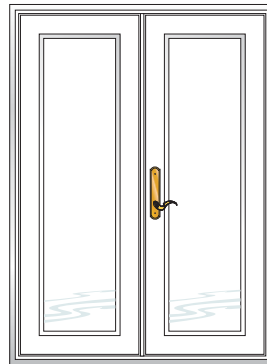
B192 ATRIUM



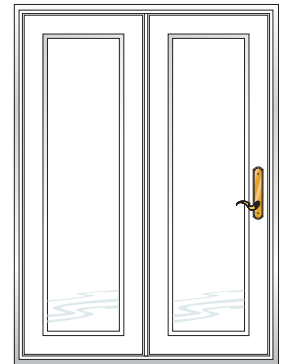
RIGHT HAND XO



LEFT HAND XO

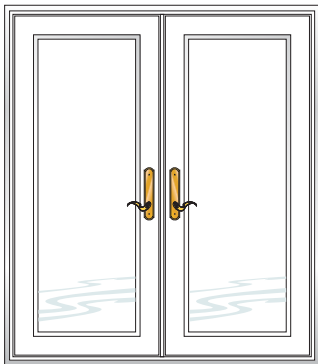


RIGHT HAND OX



LEFT HAND OX

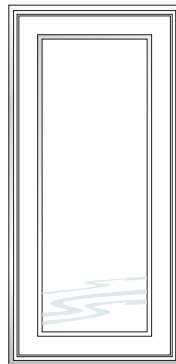
B193 FRENCH



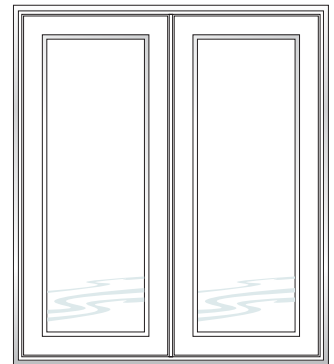
ACTIVE SECONDARY
XP

SECONDARY ACTIVE
PX

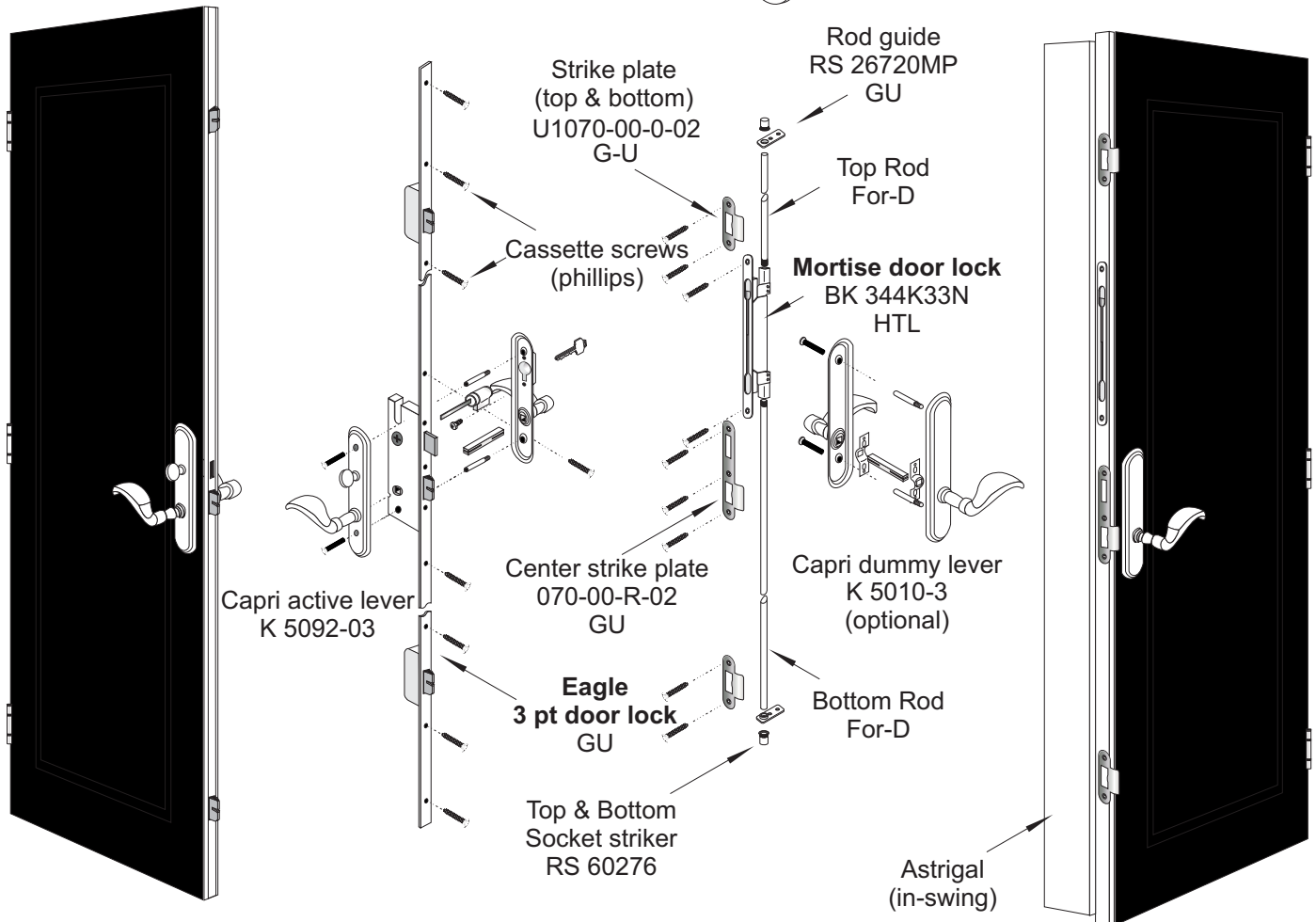
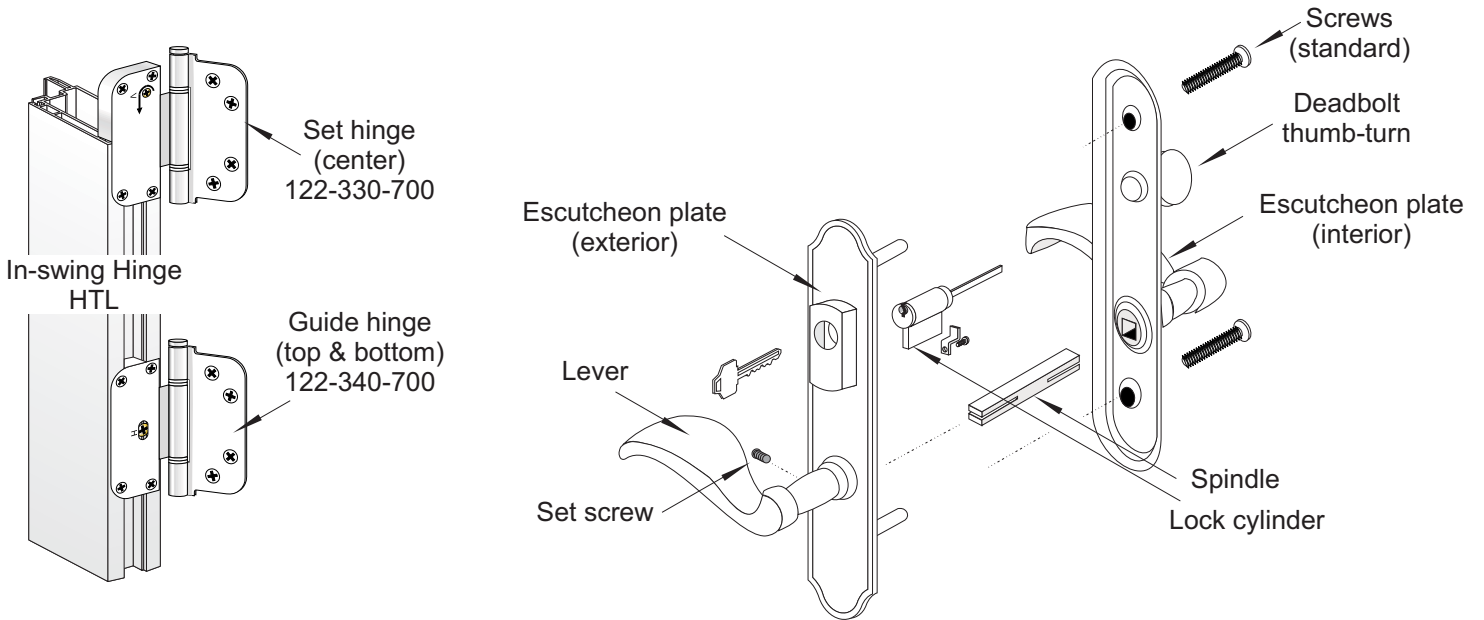
B194 SINGLE FIXED



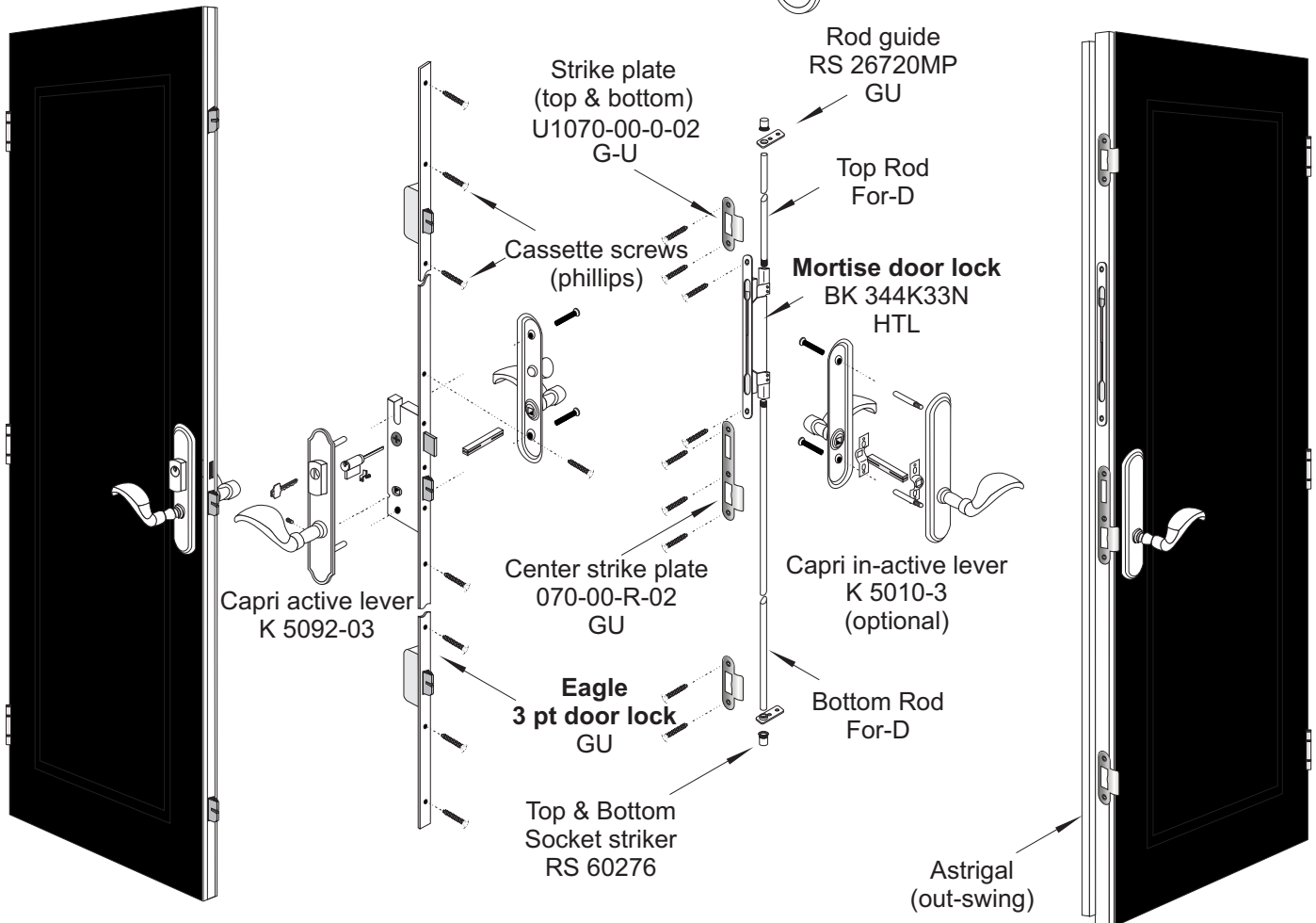
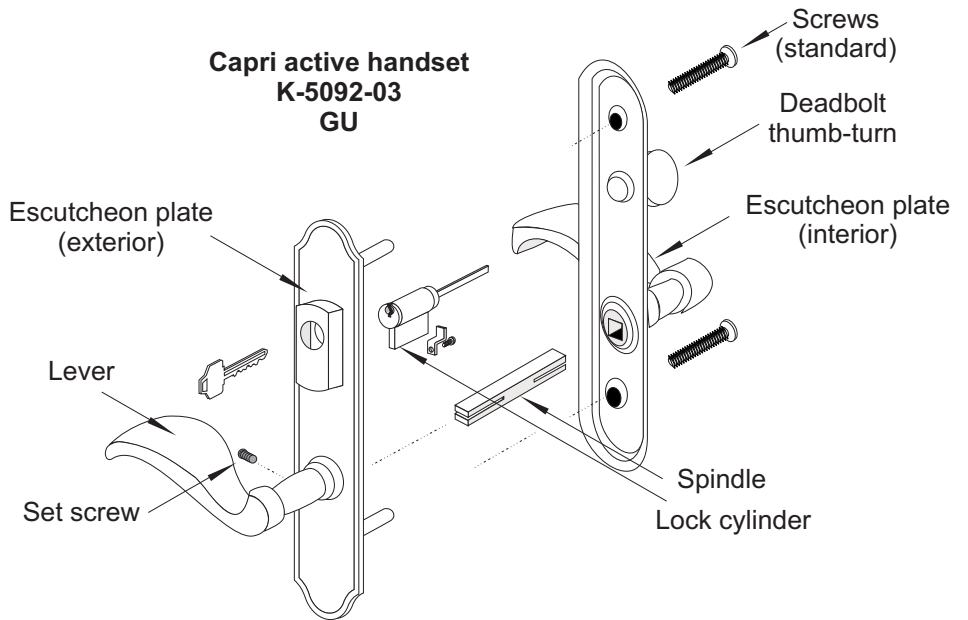
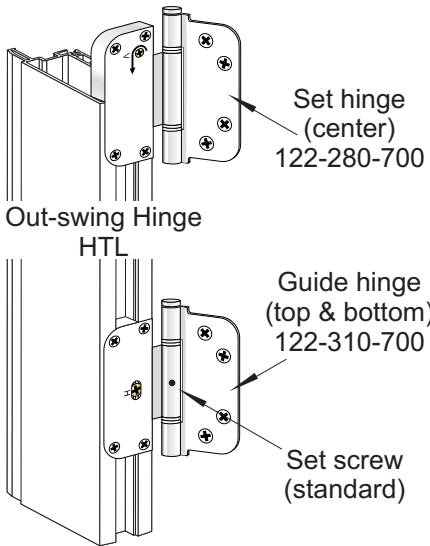
B195 DOUBLE FIXED



190 In-swing French Door Component Identification



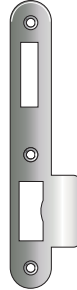
191 Out-swing French Door Component Identification



190 Hinged Patio Door Parts List



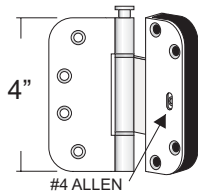
Center strike plate
(left) U1070-00-L-02
CHROME - BH217900



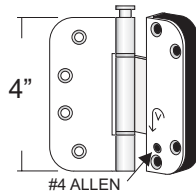
Center strike plate
(right) U1070-00-R-02
CHROME - BH218000



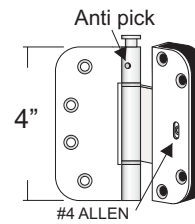
Top & bottom strike plate
U1070-00-0-02
CHROME - BH217800



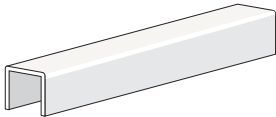
190 Guide Hinge (T&B)
(After Manuf. date 8/22/06)
Ashland
WHITE BH220601
ALMOND BH220654
BRASS - BH2206B1



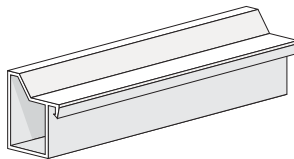
190 Set Hinge (Ctr)
(After Manuf. date 8/22/06)
Ashland
WHITE BH220501
ALMOND BH220554
BRASS - BH2205B1



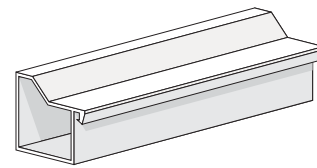
191 Guide Hinge (T&B)
(After Manuf. date 8/22/06)
Ashland
WHITE BH228101
ALMOND BH228154
BRASS - BH2281B1



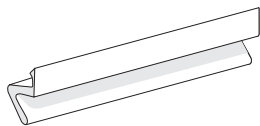
"U" channel screen track
WHITE - BC687201
ALMOND - BC687254



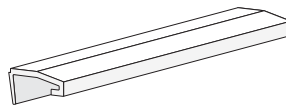
190 IN-SWING
BRICKMOLD
WHITE - BC683701
ALMOND - BC683754



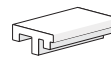
191 OUT-SWING
BRICKMOLD
WHITE - BV741601
ALMOND - BV741654



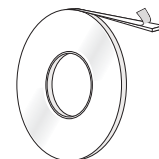
Q-Lon Weather-stripping
WHITE - BH162601
ALMOND - BH162654



GLAZING BEAD 150"
WHITE - BC684601
ALMOND - BC684654

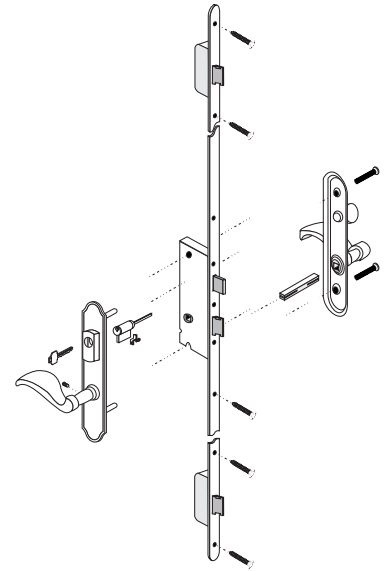
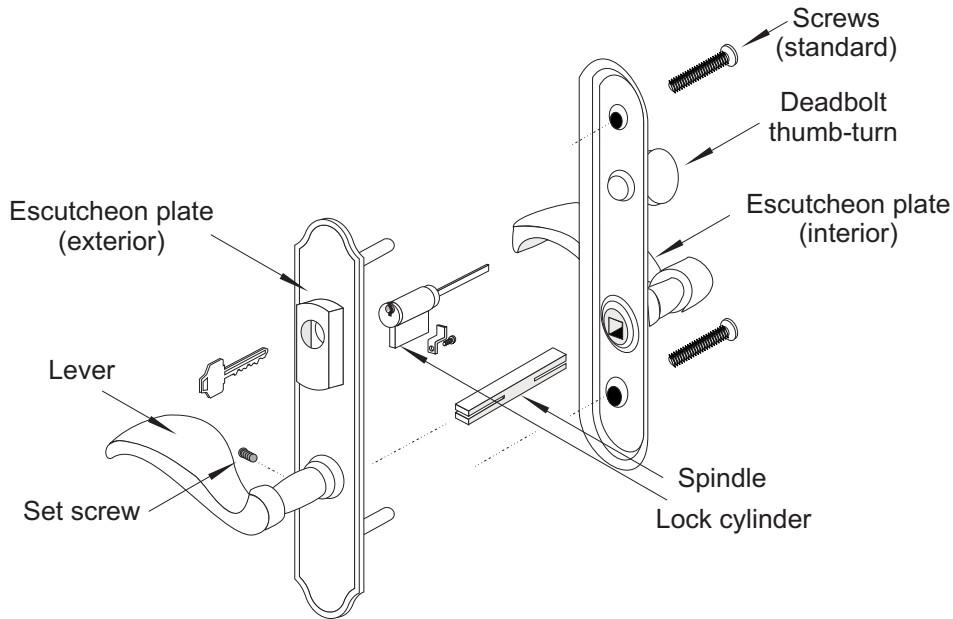


SET BLOCK
BC711701



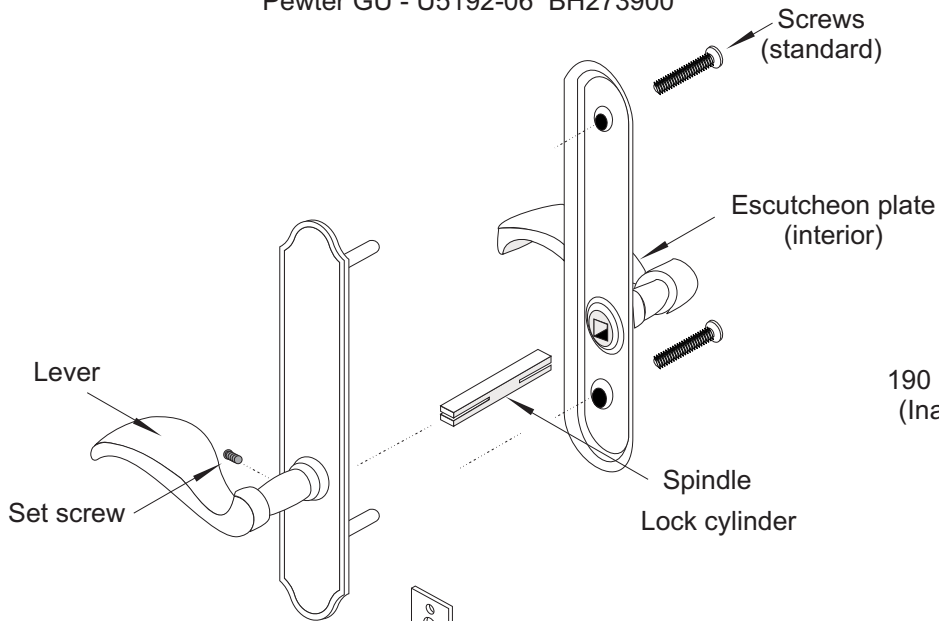
GLAZING TAPE
1/16" x 3/8"
WHT, ACRY
BC857000
GRAY, ACRY
US079210

Capri active handset
 Polished Brass GU - U5110-03 BH217600
 Satin Chrome GU - U5100-01 BH273400
 White GU - U5100-07 BH273601
 Pewter GU - U5110-06 BH273800



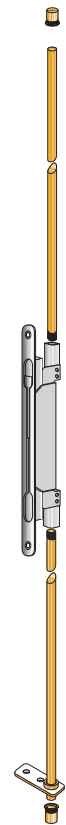
3 POINT LOCK w/ SS FACE
 BH217700

Capri In-active handset
 Polished Brass GU - U5192-03 BH217500
 Satin Chrome GU - U5192-01 BH273500
 White GU - U5192-07 BH273701
 Pewter GU - U5192-06 BH273900



3/8" Threaded
 Brass Rods
 BH243700

190 Mortise Lock Drive
 (Inactive Panel Lock)
 BH218500



In-Active
 Spindle Bracket

Rod guide
 RS 26720MP
 GU
 BH218400

Top & bottom brass
 Socket striker
 RS 60276
 GU
 BH218300



reinforcement screw
#6x3/4" Phil,Flat,Tek
WHITE - BF207501



190 hinge screw
(to panel jamb)
#8x32x1" Phil,Flat,Tap.
4/10ss(White)
BF264001



190 hinge screw
(to main frame jamb)
#10x24x1/2"Phil,Flat,Tap
WHITE - BF263901
ALMOND - BF263954
BRASS - BF2639B1



190 (through hinge) install screw
3" Phil,Flat,bugle,Zinc,
White screw
BF297401



CASSETTE MOUNT SCREW
6x5/8" Phil,Flat,4-10SS
BF156400



190 (through strike) install screw
2.5" Phil,Flat,bugle,Nickle, screw
BF297501



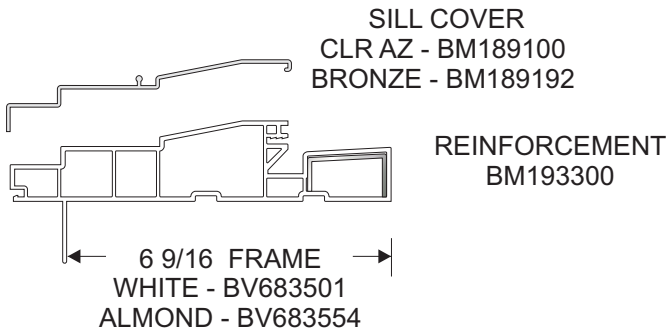
190 strike plate screw
#8x5/8" Phil,Flat
4-10 SS
BF156400



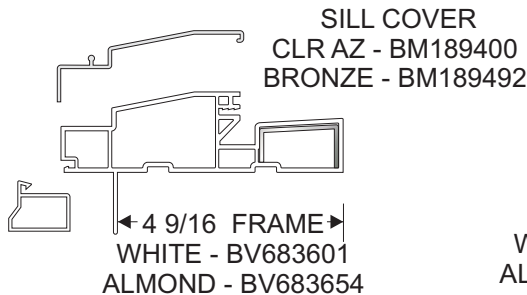
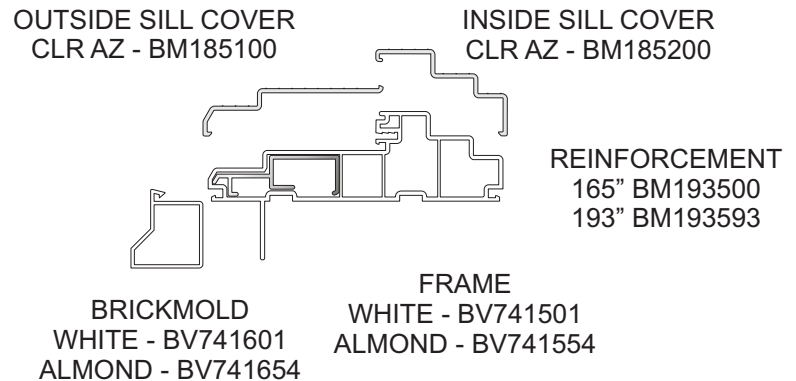
ALLEN WRENCH

190/191 Extrusions

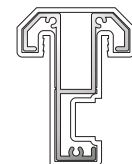
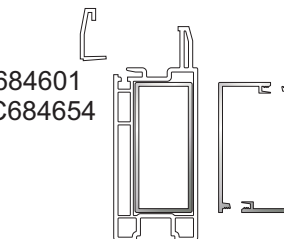
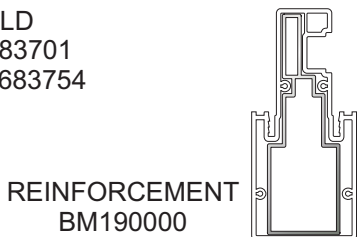
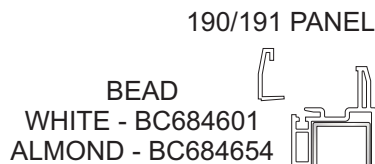
190 HINGED IN-SWING PATIO DOOR



191 HINGED OUT-SWING PATIO DOOR



BRICKMOLD
WHITE - BC683701
ALMOND - BC683754



ASTRAGAL
WHITE - BV742201
ALMOND - BV742254

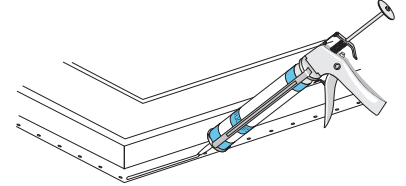
REINFORCEMENT
BM193800

190 French Door Installation

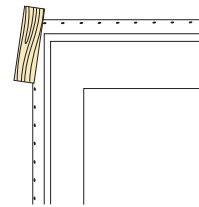
Prepare the rough opening. The opening must be straight, square and on a flat plane. Sheathing should be flush with the rough opening.

Following the standard window flashing procedure (CAWM400-95), install bottom and side flashing to the rough opening prior to installing the door.

Remove all packaging, keeping the temporary grab handles attached. Install the hand lever set. Position the door in front of the opening and cut the banding for the sill support. Lay the door down on a protective surface and apply caulking to the door nailing flange along the pre-punched holes. Lay a double bead of caulk sealant along the sub-floor to seal the door sill.



Set the door into the rough opening, centering it within the rough opening. Temporarily secure the door in place, by securing scrap material against the nailing flange, allowing for frame movement within the opening.

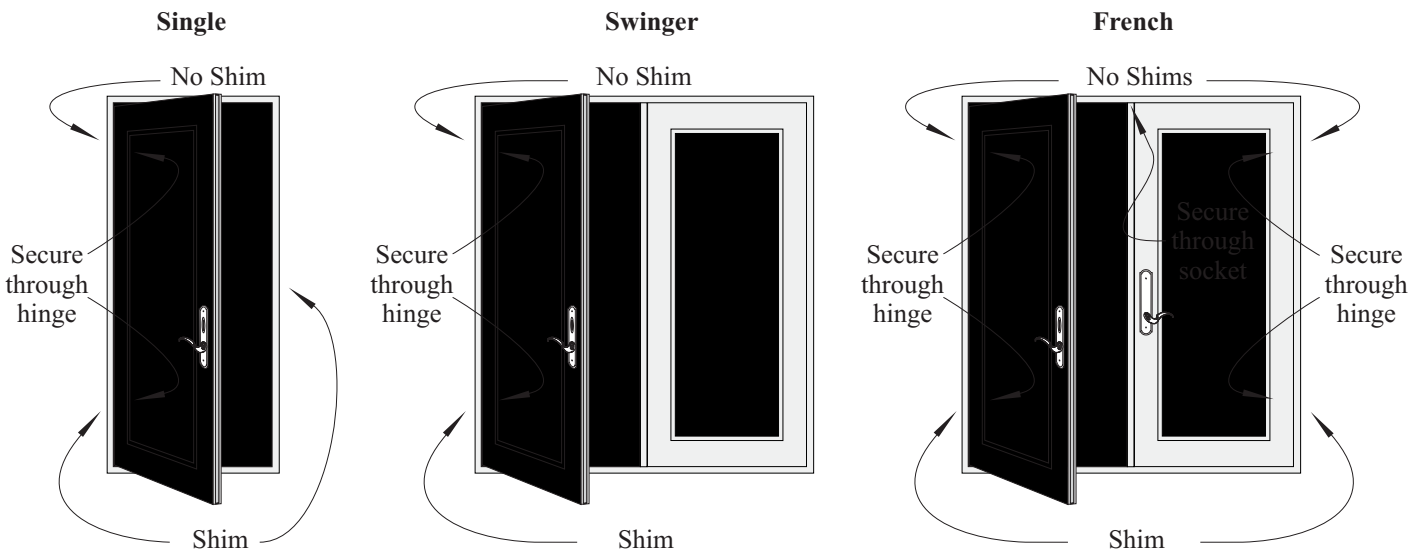


Install shims between the mainframe and rough opening behind the bottom hinge (s), before the door is opened. (shim location illustrated below)

Open the active panel and install 1- #8 x 3" screw through one of the inboard holes of the top hinge into the rough opening. No shim should be located between the top hinge and the rough opening. Tighten the screw to support the panel weight and restore the main frame reveal. Install 1- #8 x 3" through one of the inboard holes of the bottom hinge. Repeat this step for both panels on a French door.

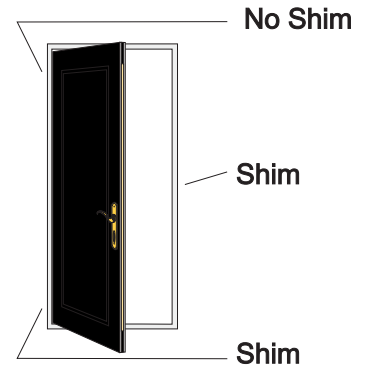
French door: After all adjustments to the main frame installation are complete, install 1- #8 x 3" screw through the top socket striker and into the head framing, to level the head of the door. No shim should be used between the frame head and rough opening.

After all adjustments are complete, maintaining approximately 1/8" reveal between the panel (s) and the main frame, remove the temporary supports and nail off the door through the nail flange every 8 to 12 inches. Install the header flashing over the head nail flange. Install the brick-mold (optional)



190 Door Installation

1. Remove the banding and wood sill support.
2. Open the carton and check parts using the following check list.
 - a) Outside and inside handles
 - b) 2 threaded standoffs
1 spindle
2 escutcheon screws
 - c) 3 screws #10 x 3 1/2"
3 screws #8 x 3"
3. Install the locking handle to the door panel.
4. Check the rough opening for square.
5. Lay a double bead of sealant on the sub floor, under the sill.
6. Lay a bead of sealant on the inside of the nailing flange of the door frame.
7. Center the door in the rough opening and temporarily secure it through the nail flange. Check the main frame for straightness, maintaining a good reveal between the panel and main frame.
8. Shim between the main frame and rough opening behind the bottom hinge. Shim enough only to restore the main frame to a straight condition. Open the door and install one #10 x 3 1/2" screw through the bottom hinge into the rough opening. Install one #10 x 3 1/2" screw through the top and center hinge. Tighten the screw enough to support the panel and restore the main frame to a straight condition. Do not shim behind the top hinge, to allow for adjustments.
9. Install the three #8 x 3" screws through the strike plates, shimming between the frame and rough opening of the center strike.
10. Maintain a uniform reveal between the panel and main frame while installing the screws. The hinges can be adjusted if necessary to improve the reveal and alignment.



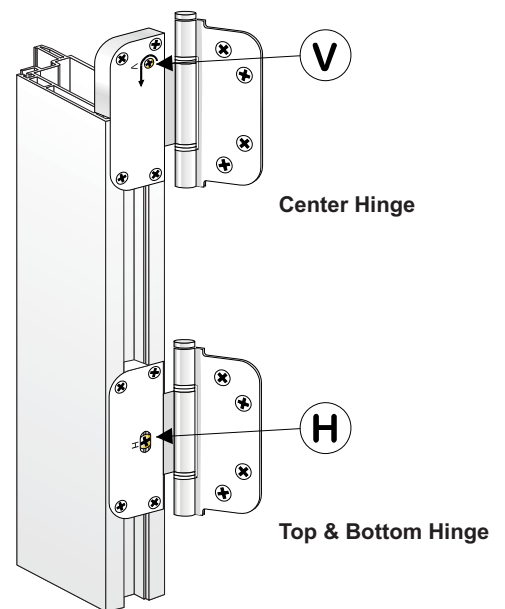
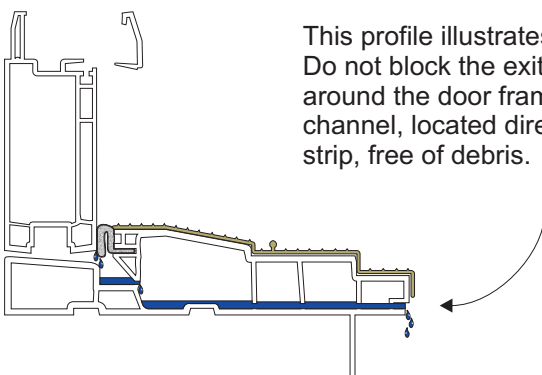
HINGE ADJUSTMENTS

may be needed after installation to improve the panel reveal and latch operation. Hinge adjustments should not be considered to compensate for an out of square installation, as they are limited.

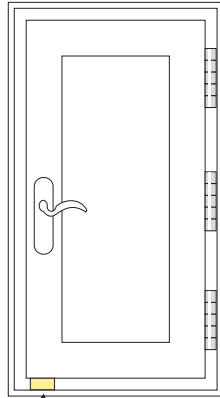
H- (horizontal adjustment) will move the panel toward or away from the strike.

V- (vertical adjustment) will move the panel up or down.

Take care not to damage the screw head during adjustment. Apply force against the screw to avoid the screw driver tip from rounding the screw head.



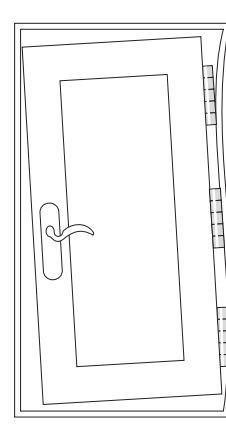
Squaring & Adjusting 190 Swinging Patio Door



Transport Shim 1

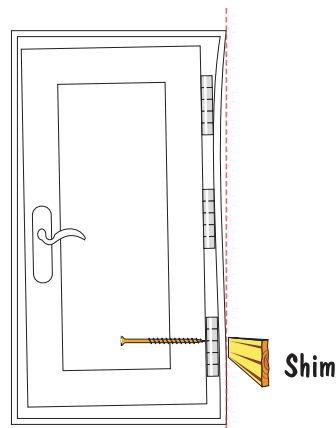
The door should be placed in the opening with the shim in place, supporting the panel. An equal reveal should be maintained around the door between the panel and the main frame. Square the perimeter door frame by using the panel as a guide.

Secure the door into the opening, fastening through the nailing flange.



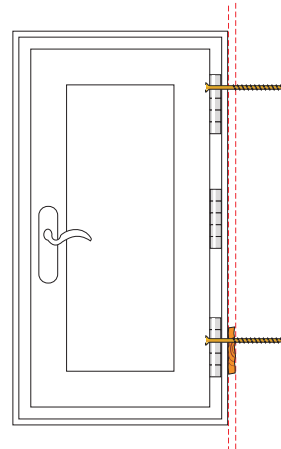
2

Once the transport shim is removed, the weight of the panel hangs on the jamb. Even though the frame is nailed, the panel weight will distort the jamb. Support is needed to bring the panel back to position.



3

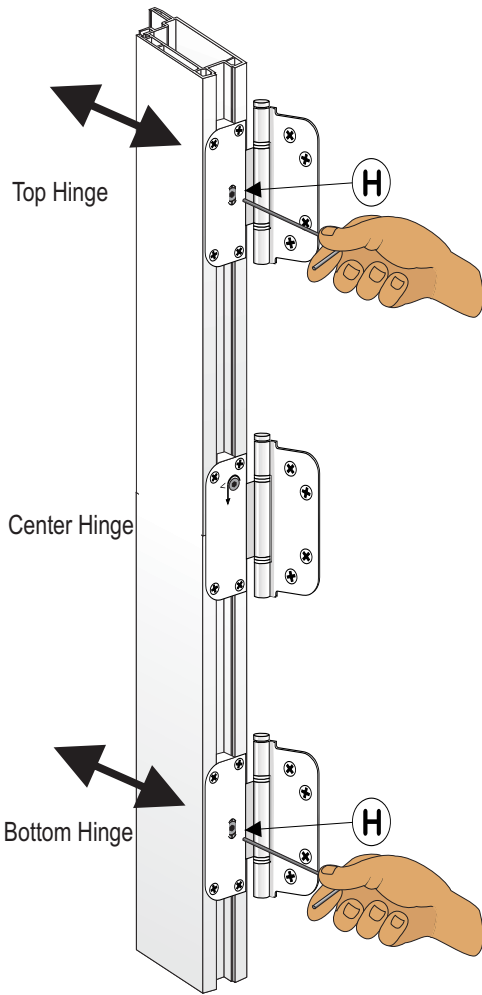
Insert a shim behind the bottom hinge, between the main frame and the rough opening. Adjust enough to only recover the frame to a straight condition. Observe the reveal between the panel and the hinge jamb at the bottom corner. It should be the same as at the hinge. Install a 3" screw through the hinge and shim.



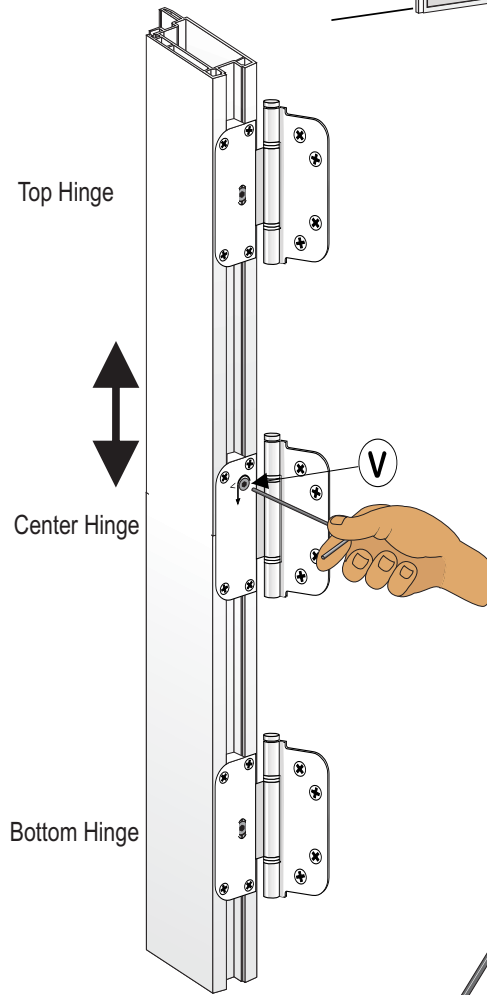
4

Install a 3" screw through the top hinge into the rough opening and only tighten until the main frame jamb is straight again. Now the panel is supported by the Jamb and no longer the sill shim. Minor adjustment can now be made using the hinge adjustments if needed.

190 Swinging Door Hinge Adjustment



Horizontal Adjustment



Vertical Adjustment

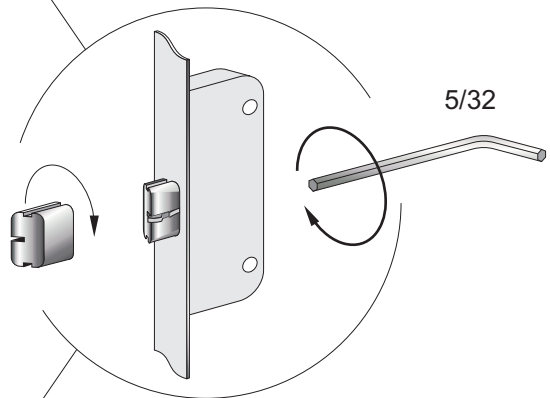
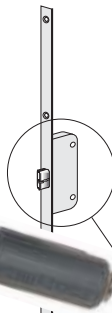


190 Hardware Cassette Hand Change

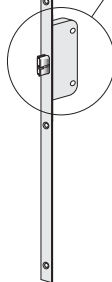
Service Technique



Insert a standard flat screw driver into the latch clip keyway to release the latch from the cassette case. Remove the latch, apply a few drops of machine oil, rotate 180 degrees and reinstall.

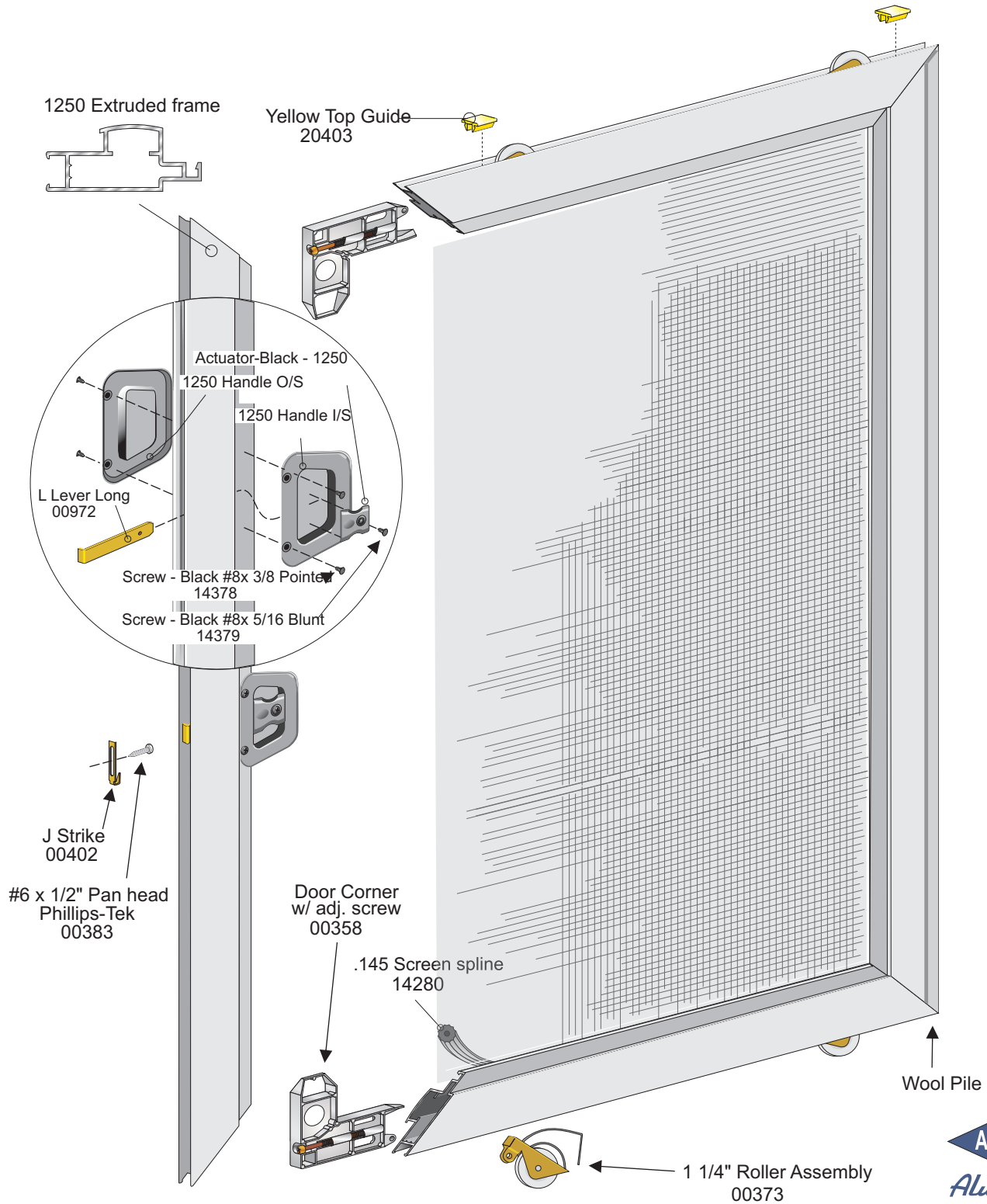


Insert a 5/32 Allen Key into the back and unscrew the secondary latch screw. Remove the latch and rotate 180 degrees. Apply a few drops of machine oil to the latch and reinstall.

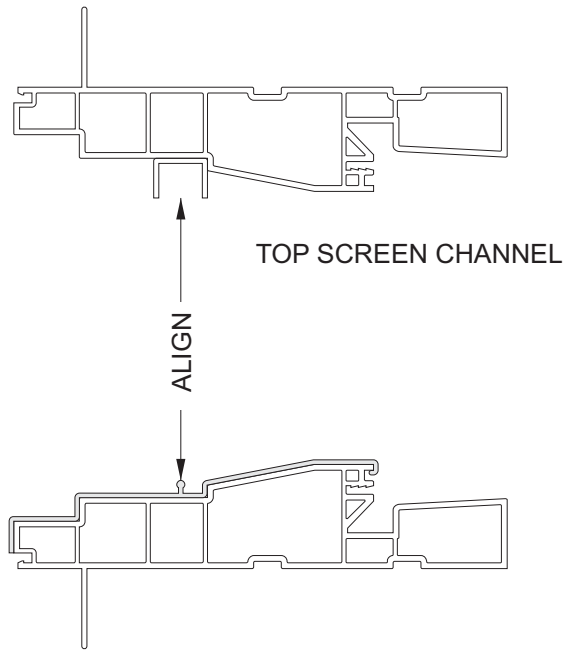


190 SWINGER DOOR SCREEN

Aluminite1250 series Door Screen



190 Swinging Door Screen Channel Installation



PREFIT THE TOP SCREEN CHANNEL AT THE 190 DOOR HEAD (TRIM IF NECESSARY)
PREDRILL 1/8" HOLES EVERY 12" DOWN THE CENTER OF THE CHANNEL
POSITION THE CHANNEL AT THE HEAD AND SECURE WITH THE DRILL TIP FLATHEAD SCREWS PROVIDED.
INSTALL SCREEN, INSERTING THE TOP INTO THE CHANNEL, THEN POSITION THE WHEELS ONTO THE SILL TRACK RAIL, ADJUST WHEELS.

Note: WHEN ORDERING REPLACEMENT SCREENS, SPECIFY 4 9/16 OR 6 9/16 FRAME
(SCREEN HEIGHTS ARE DIFFERENT)