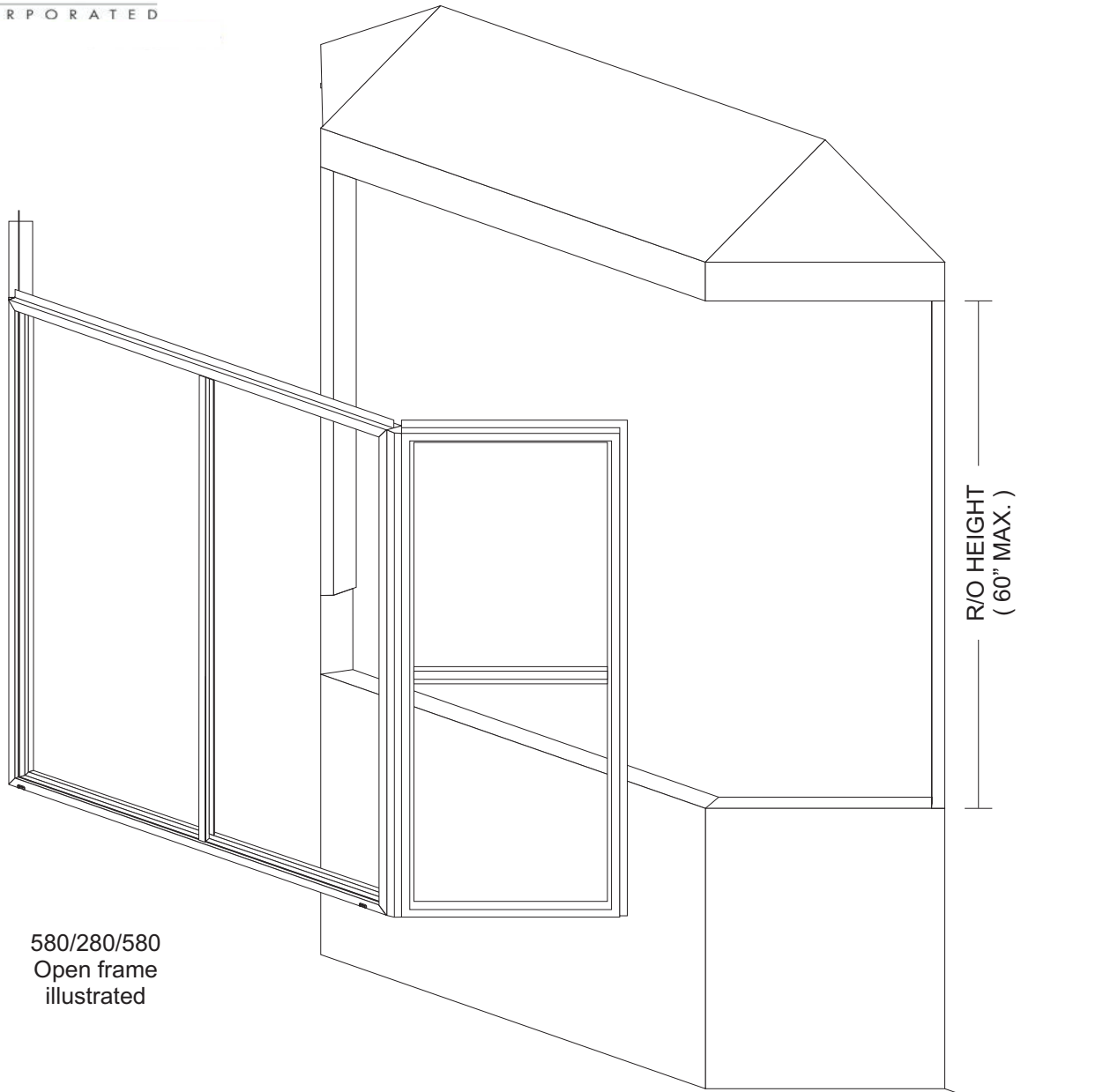
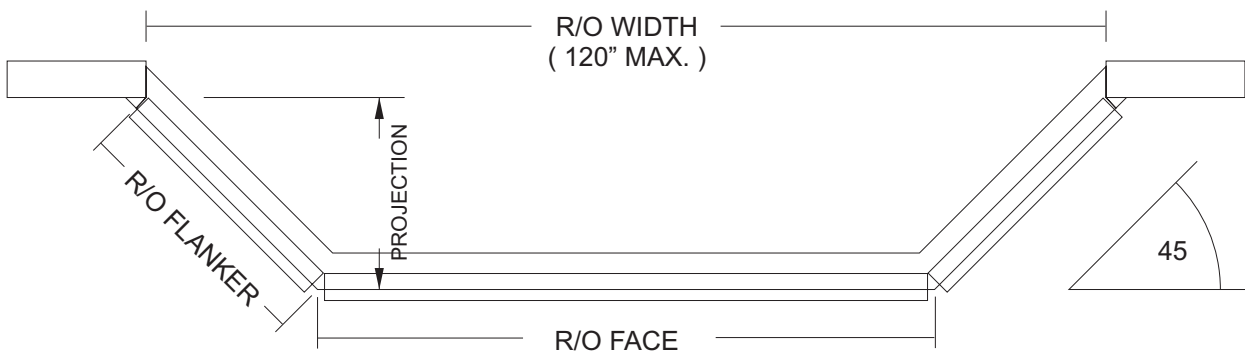


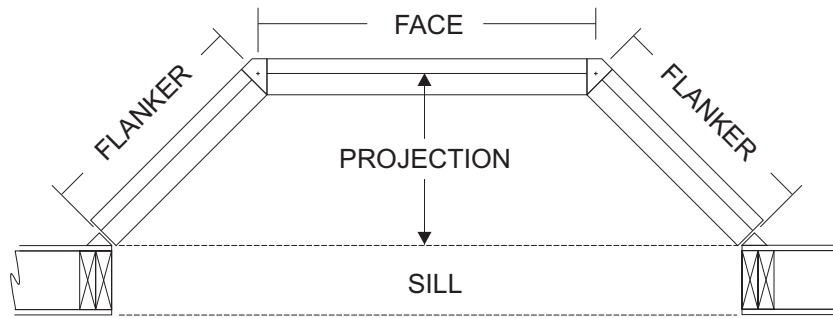
45 Degree Bay Window



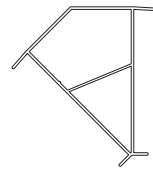
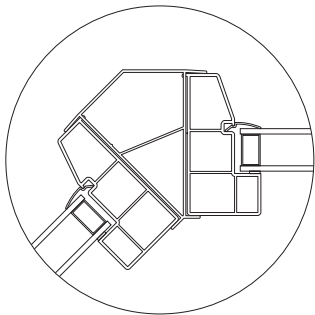
580/280/580
Open frame
illustrated



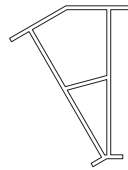
Bay Window Details



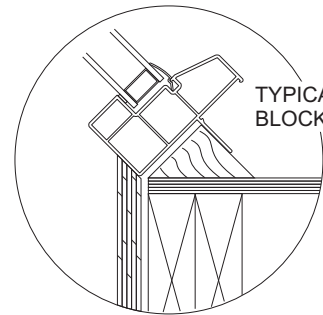
PROJECTION = INSIDE NAIL FLANGE TO SHEATHING



45° MULL BAR



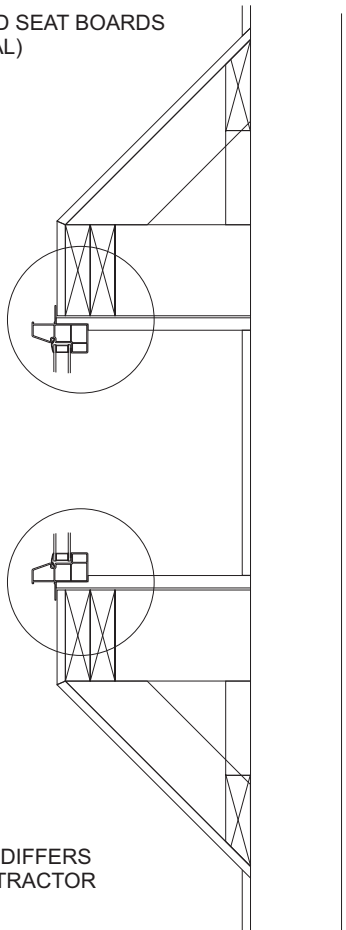
30° MULL BAR



TYPICAL WOOD BLOCK NAILER

HEAD AND SEAT BOARDS
(OPTIONAL)

DETAIL A

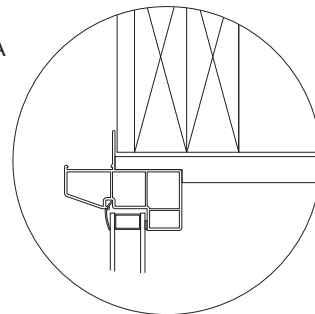


DETAIL B

FRAMING DIFFERS
PER CONTRACTOR

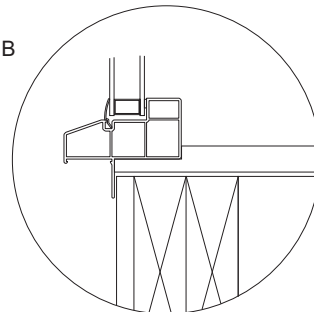
3/4" HEAD AND SEAT BOARD ROUTED
TO FIT. (ADDITIONAL 5/8" DEDUCTED
FROM WINDOW HEIGHT)

DETAIL A

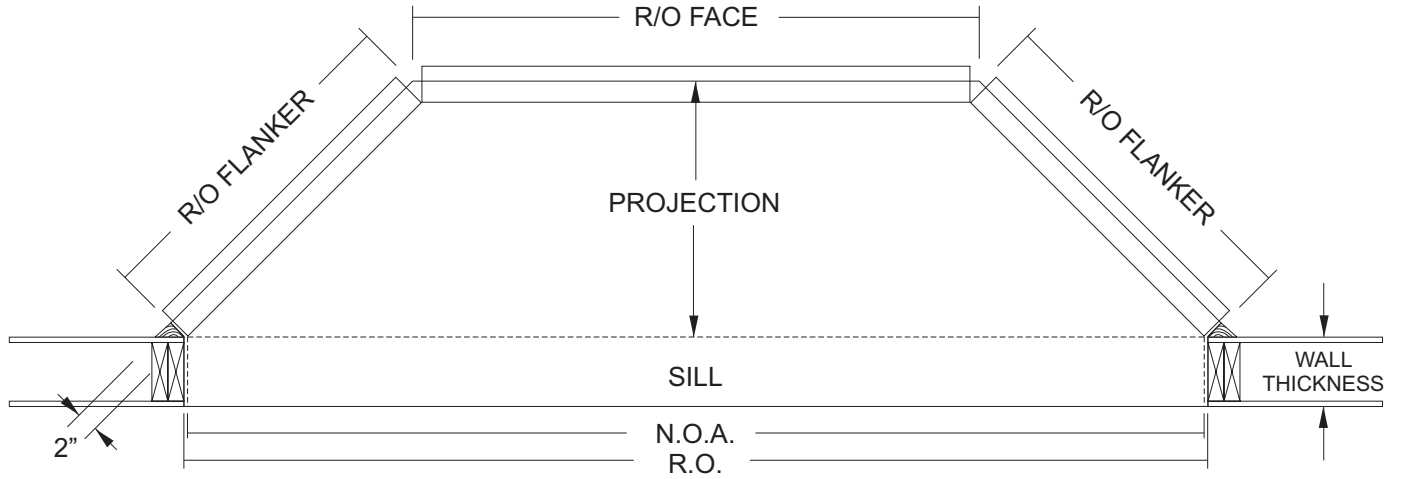


780 MAIN FRAME SHOWN
280 / 580 / 680 WINDOW FRAMES SIMILAR

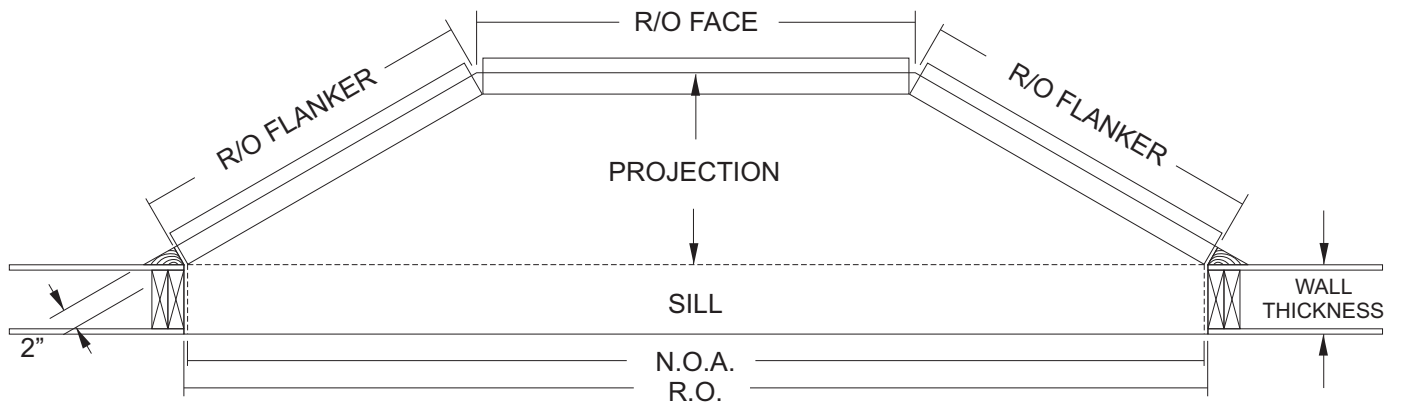
DETAIL B



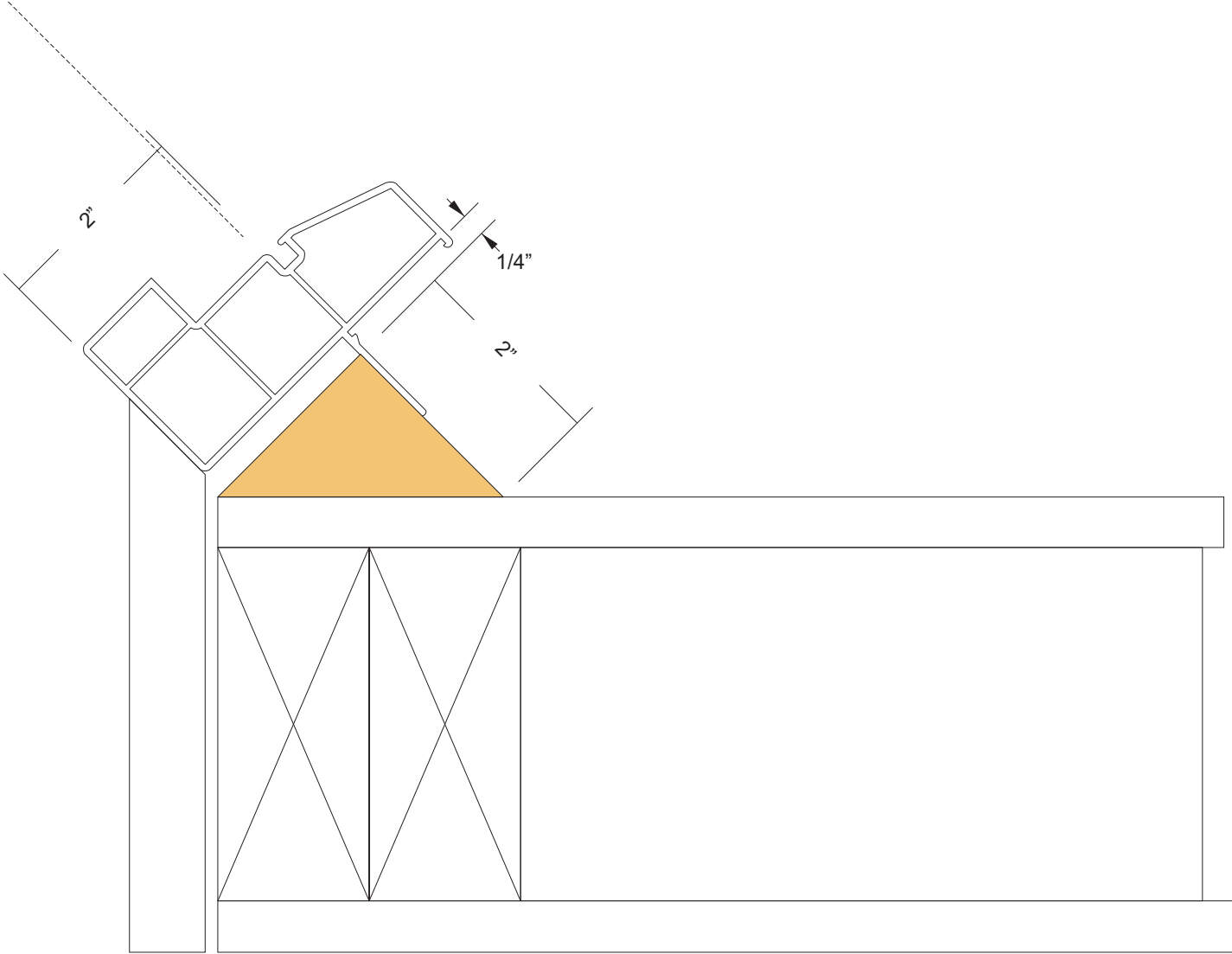
45 DEGREE BAY — LAYOUT



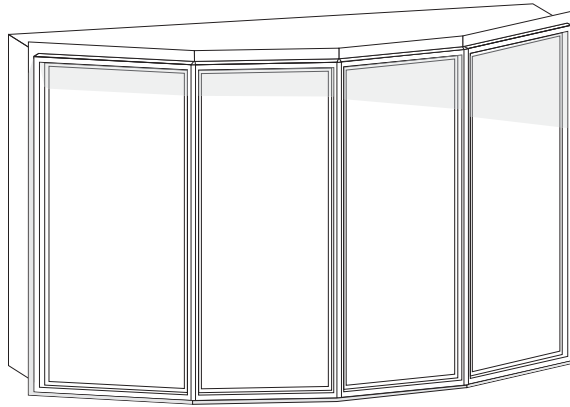
30 DEGREE BAY — LAYOUT



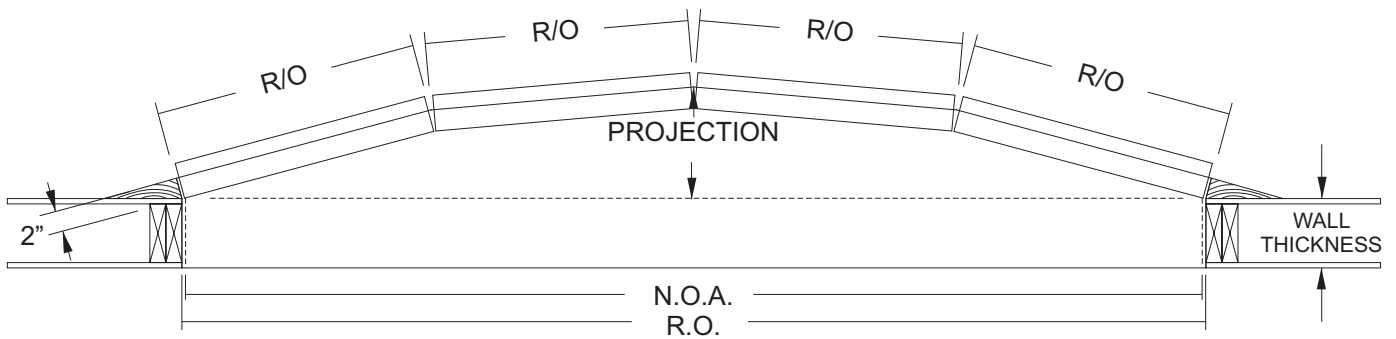
45° Bay Window Framing



Bow Windows



4 SECTION BOW — SAMPLE LAYOUT



Only 280, 580, 680 and 780 series frame combinations may be used for Bay and Bow windows, due to the 3 3/8" wide mull bar, available only in 10, 30, and 45 degrees.